

IMPORTANT SAFETY AND ASSEMBLY INSTRUCTIONS

Model No: RTG22182-1-CD

Rooms to Go SKU No: 90162214

CAUTION: Please read these instructions carefully and in full before starting the assembly and installation of this lighting fixture. They are provided for your safety.

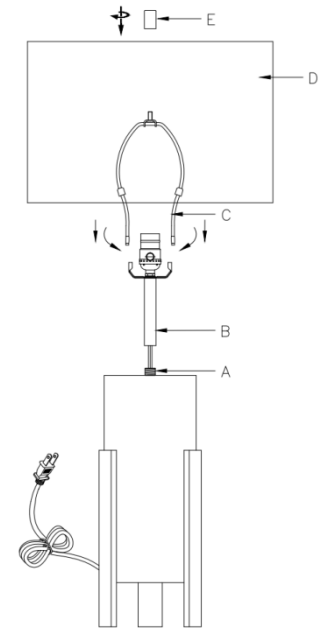
- Do **not** plug the lamp into a wall outlet until assembly is complete.
- Always unplug the lamp before replacing the bulb.
- This lamp is intended for **indoor use only** and should be used in **dry locations**.

Parts List

- (A) Body
- (B) Socket Assembly with Saddle
- (C) Harp
- (D) Shade
- (E) Finial

Assembly Instructions

1. Carefully unpack all parts and place them on a soft, clean surface. Verify that all components are included.
2. Thread the socket assembly with saddle (B) clockwise onto the body (A). As you assemble, gently pull any excess cord through the lamp base to avoid tangling.
3. Insert the harp (C) into the saddle of the socket.
4. Place the shade (D) onto the harp (C).
5. Secure the shade by screwing the finial (E) clockwise onto the top of the harp.
6. Install light bulb into socket (bulb not included).



Use one Type A on/off bulb, 100-watt max, or LED equivalent.

To avoid the risk of fire do not exceed the recommended lamp wattage.

IMPORTANT SAFETY INSTRUCTIONS:

This portable luminaire has a polarized plug (one blade is wider than the other) as a safety feature to reduce risk of electric shock. This plug will fit in a polarized outlet only one way. If the plug does not fit fully in the outlet, reverse the plug. If it still does not fit, contact a qualified electrician. Never use with an extension cord unless plug can be fully inserted. Do not alter the plug. Do not attempt to defeat this safety feature.

Care and Maintenance:

To clean, wipe with a soft dry cloth.

ENGLISH

IMPORTANT SAFETY INSTRUCTIONS

⚠ WARNING

Misuse can result in FIRE or DEATH by ELECTRICAL SHOCK

Read all instructions before using this furnishing.

DANGER – To reduce the risk of electric shock:

- Always unplug this furnishing from the electrical outlet before cleaning or servicing.

WARNING – To reduce the risk of burns, fire, electric shock, or injury to persons:

- Unplug from outlet before putting on or taking off parts.
- Never operate this furnishing if it has a damaged electrical cord or plug, if it is not working properly, or if the electrical cord or plug has been damaged or dropped into water. Stop using this furnishing and call a service center for examination and repair.
- Keep the electrical cord and plug away from heated surfaces and other heat sources.
- To disconnect, turn all controls to the off position, then remove plug from outlet.
- When operating, ensure that electrical cord is not under the base, legs, or motion mechanism to avoid damage to electrical cord or plug.
- Do not strain or stretch electrical cord.
- Do not use extension cords or power strips.
- Keep out of reach of children. This is not a toy.
- Plug directly into a compatible electrical socket.
- Do not modify the plug or use any adapters.

SPANISH

INSTRUCCIONES DE SEGURIDAD IMPORANTES

⚠ WARNING

El mal uso puede provocar INCENDIO o MUERTE por DESCARGA ELÉCTRICA

Leer todas las instrucciones antes de usar este mobiliario.

PELIGRO – Para reducir el riesgo de descarga eléctrica:

- Siempre desenchufe este accesorio de la toma de corriente eléctrica antes de limpiarlo o repararlo.

ADVERTENCIA: para reducir el riesgo de quemaduras, incendios, descargas eléctricas o lesiones a personas:

- Desenchufe del tomacorriente antes de colocar o quitar partes.
- Nunca opere este accesorio si tiene un cable o enchufe eléctrico dañado, si no funciona correctamente, o si el cable o el enchufe eléctrico se ha dañado o se ha caído al agua. Deje de usar este equipamiento y llame a un centro de servicio para que lo examinen y lo reparen.
- Mantenga el cable eléctrico y el enchufe lejos de superficies calientes y otras fuentes de calor.
- Para desconectar, gire todos los controles a la posición de apagado, luego retire el enchufe del tomacorriente.
- Al operar, asegúrese de que el cable eléctrico no esté debajo de la base, las patas o el mecanismo de movimiento para evitar dañar el cable eléctrico o el enchufe.
- No fuerce ni estire el cable eléctrico.
- No utilizar cables de extensión o tomas de corriente.
- Mantener fuera del alcance de los niños. Esto no es un juguete
- Enchúfelo directamente a una toma de corriente compatible.
- No modifique el enchufe ni utilice adaptadores.