



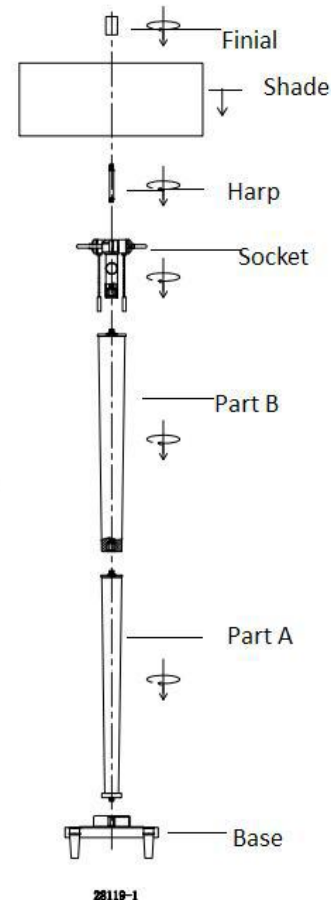
UTTERMOST

ASSEMBLY INSTRUCTIONS

STYLE# 28119-1

Careful unpack all lamp parts from the carton.

1. Take the lamp carefully out of the Carton, and place it on a flat surface.
2. Thread **Part A** into the **Base** by turning **Part A** clockwise to tighten until snug.
3. Thread **Part B** into **Part A** by turning **Part B** clockwise to tighten until snug.
4. Locate the **Harp** by pressing the ends of the **Harp** into the **Harp Base** on the top of **Base**.
5. Place the **Shade** over the top end of the **Harp**. Secure by thread the **Finial** onto the **Harp**. Hand tighten until snug.
6. Install correct Bulbs referring to fixture markings and /or labels for maximum wattage. (Not Included)



IMPORTANT SAFETY INSTRUCTIONS

This portable lamp has a polarized plug (one blade is wider than the other) as a safety feature to reduce the risk of electric shock. This plug will fit in a polarized outlet only one way. If the plug does not fit fully in the outlet, reverse the plug. If it still does not fit, contact a qualified electrician. Never use with an extension cord unless plug can be fully inserted. Do not attempt to defeat this safety feature.