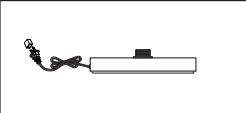
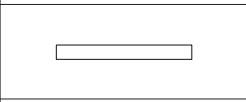
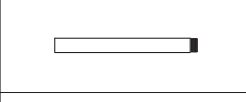
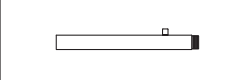


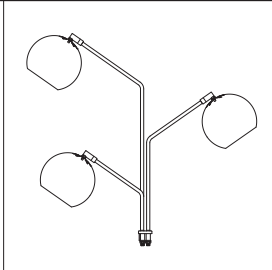


ASSEMBLY INSTRUCTION FOR

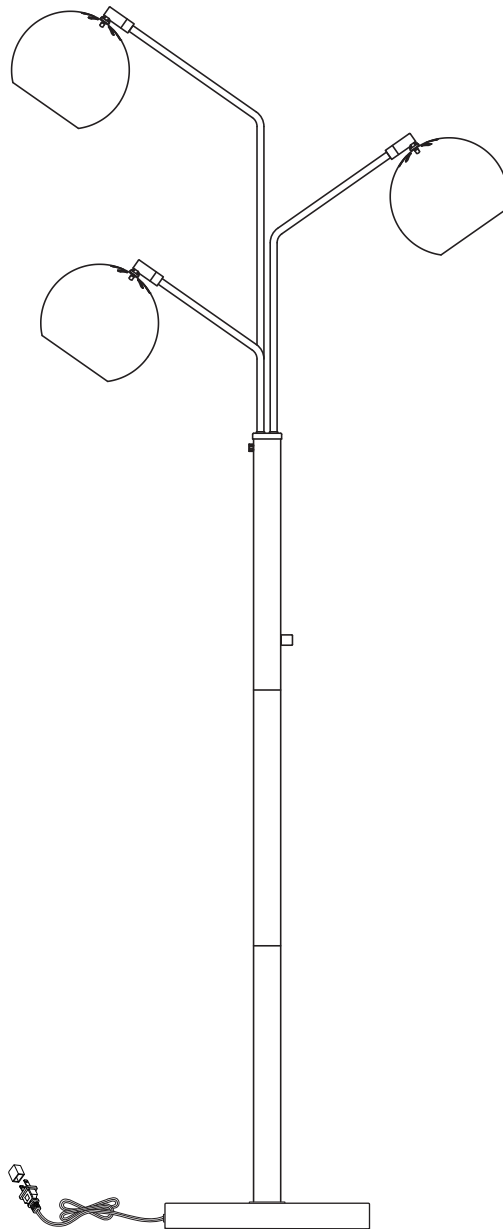
Emerson Tree Lamp

Vendor Code: ADEO Model# HW-F3207A SKU# 90251415

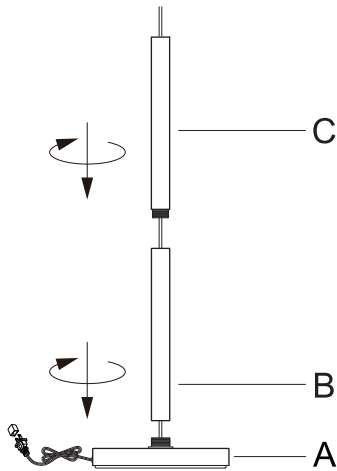
Included parts diagram:

A		Base	1 PC
B		Tube	1 PC
C		Tube	1 PC
D		Tube	1 PC

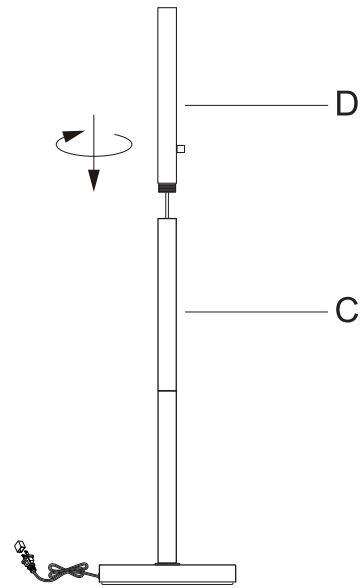
E		Tube+Shade	1 PC
F		Screw	2 PCS
G		Wrench	1 PC



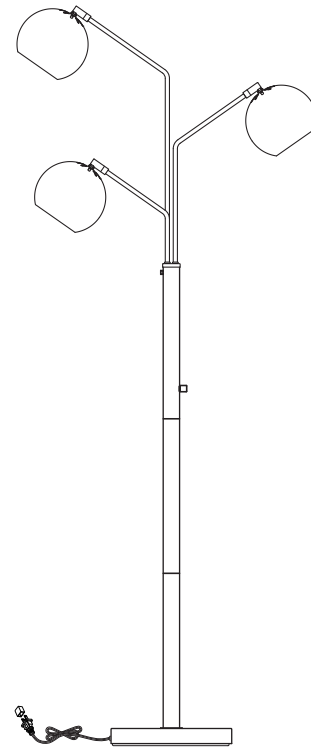
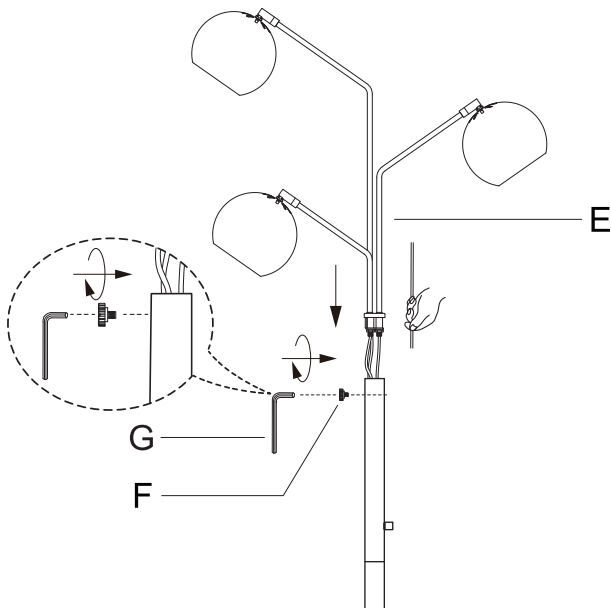
1. Screw tube (B) clockwise onto base (A) until tight.
2. Screw tube (B),(C) together until tight.



3. Fold the excess cord and insert into tube (D).



4. Screw (F) comes pre-assembled to tube . Before placing the part (E) onto the tube, please unscrew this screw (F).
5. Place part (E) onto (D), then tighten using 2 * hex screw pieces (F) with provided allen wrench (G).



CARE

GENERAL PRODUCT INFORMATION:

This product is suitable for dry locations only.

CARE & MAINTENANCE:

Do not use polishes or cleaners on your lamp.

Unplug lamp, clean with a soft, dry cloth.



IMPORTANT SAFETY INSTRUCTIONS:

This portable floor lamp has a polarized plug as a feature to reduce the risk of electric shock (one blade is larger than the other). This plug will fit in a polarized outlet only one way. If the plug does not fit fully in the outlet, reverse the plug. If it still does not fit, contact a qualified electrician. Do not use with an extension cord unless the plug can be fully inserted. DO NOT ALTER THE PLUG .

BULB TYPE: 3 x type A Max. 60W bulbs (Bulbs not included).