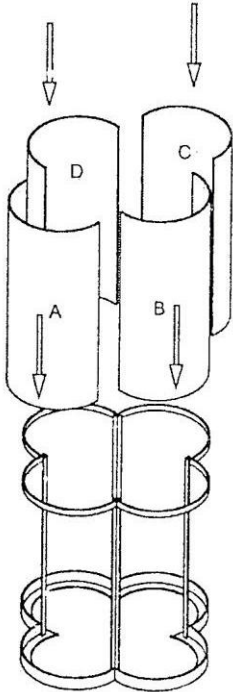


UTTERMOST

# ASSEMBLY INSTRUCTION

## STYLE:22061

### Step-1



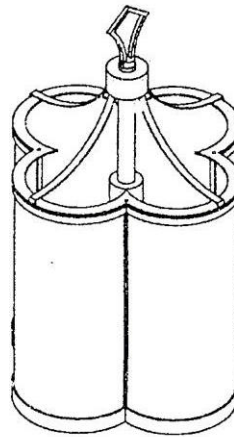
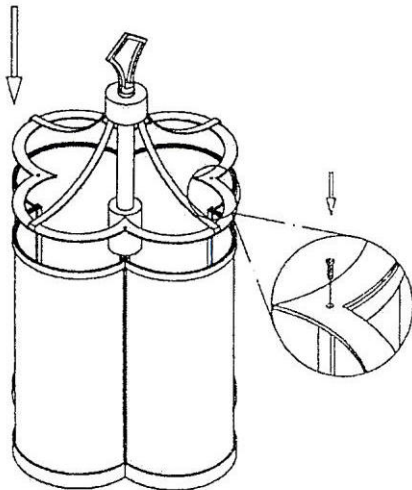
1. Take the all parts carefully out of the carton and then place them on a flat surface make sure the furniture will not be damaged.

2. Carefully insert antique glass panels into the bottom frame indicated (see step-1)

3. Cover the top frame on the top of bottom frame , fix them together with screws by screwdriver. Do not fully tighten screws.(see step-2)

Then the pendant body has been assembled .

### Step-2



PO BOX558/3325 GRASSY HILL RD. ROCKY MOUNT,VIRGINIA 24151

[www.uttermost.com](http://www.uttermost.com)



UTTERMOST

## ASSEMBLY INSTRUCTION

Thank you for purchasing the Fixture  
Please follow the instructions listed below.

### MODEL NUMBER: 22061

1. Be sure the power to the installation point is off
2. Pull the power supply wires out from the outlet box, and mount the universal mounting plate to the outlet box using mounting screws A
3. Attach the power supply wires to the fixture lead wires by connecting black to black, and white to white. Attach the power supply ground wire from the outlet box and the fixture ground wire from the fixture to the green ground screw on the mounting bracket or connect both wires from together using the correct size of wire connectors

