

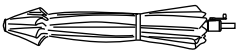
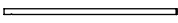
# Assembly Instructions

9FT MISSION VEIJO UMBRELLA

 ROOMS TO GO PATIO™  
Manufactured by (TMPL) for Rooms To Go

SKU # 92831102 # 92831203  
# 92831304 # 92831405

## 1.0 Part List

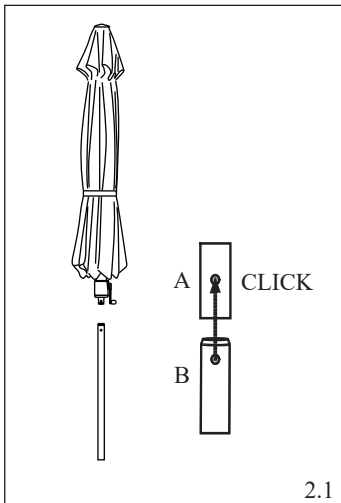
Step	Code	Description	Qty
2.1	A	Umbrella 	1
2.1	B	Lower Pole 	1

### Please note:

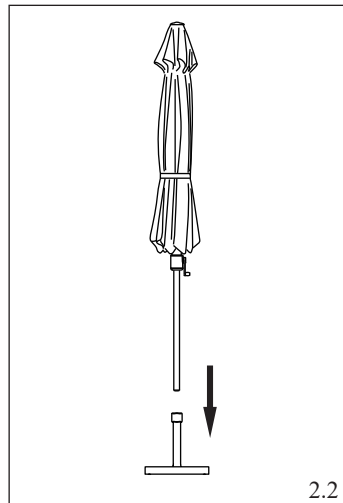
Carefully read through the complete instruction manual, particularly the safety notes. Failure to heed this instruction may result in severe injury or damage to the product.

1. Use a stable base (Not Include) for the umbrella.
2. The product should be set up by a competent adult.
3. When opening and closing the umbrella, make sure that your hands are not caught by the folding mechanism.
4. In the event of incoming wind or thunderstorms, close the sun shade and secure it with a tie strap.
5. Never start an open fire near or under the umbrella.
6. The sun shade is not a children's toy.

## 2.0 Assembly Process

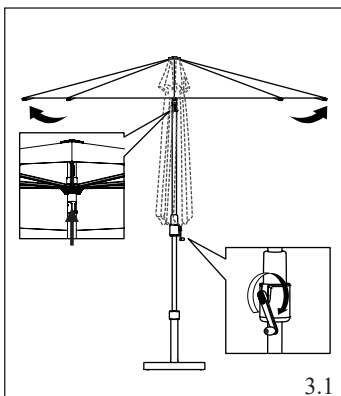


Insert the lower pole (B) into the upper umbrella (A)'s middle pole until the snap button locks into place.

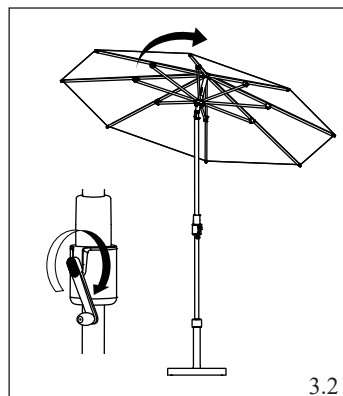


Insert the assembled umbrella into secure umbrella base or table (not included).

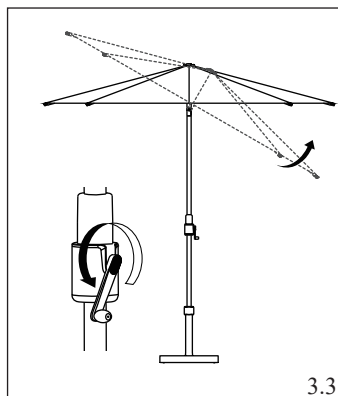
## 3.0 Instruction



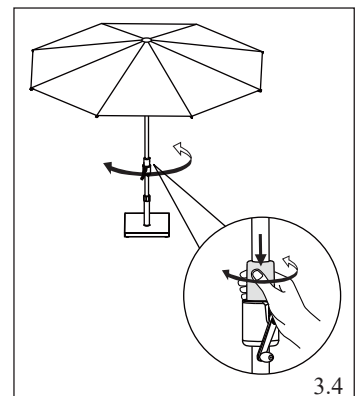
To open the umbrella turn the crank in a clockwise direction until the umbrella canopy has fully opened.



To tilt, continue to turn crank to desired position.



Turn crank handle in counter clockwise direction to bring umbrella back to a horizontal position.



Press the sleeve and twist it to desired position.

# Assembly Instructions

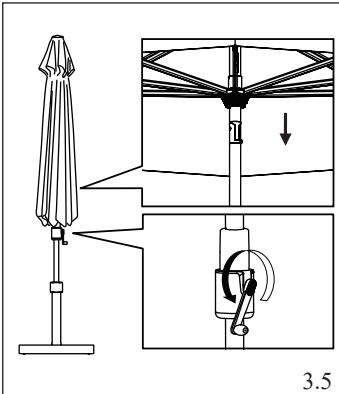
## 9FT MISSION VEIJO UMBRELLA

 ROOMS TO GO PATIO™

Manufactured by (TMPL) for Rooms To Go

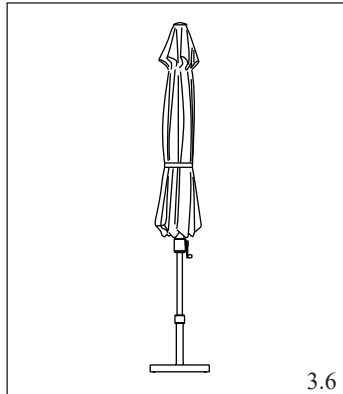
SKU # 92831102 # 92831203

# 92831304 # 92831405



3.5

Turn crank handle in counter clockwise direction to close the umbrella.



3.6

Always take umbrella down when not in use and avoid using the umbrella during high wind, snow or any other inclement weather.