

Assembly Instructions



9FT DELLA LUNA UMBRELLA

 ROOMS TO GO PATIO™

Manufactured by (TMPL) for Rooms To Go

SKU # 92833106 # 92833207 # 92833308
92833409 # 92833500

1.0 Part List

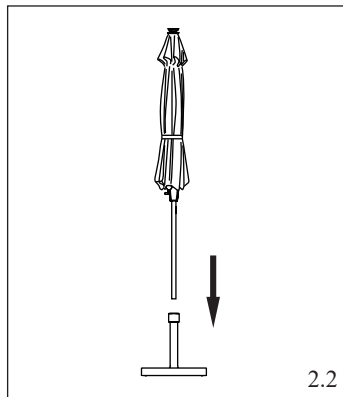
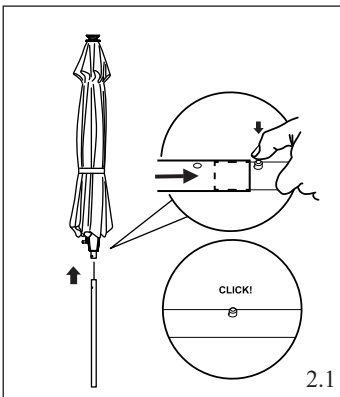
Step	Code	Description	Qty
2.1	A	Umbrella 	1
2.1	B	Lower Pole 	1

Please note:

Carefully read through the complete instruction manual, particularly the safety notes. Failure to heed this instruction may result in severe injury or damage to the product.

1. Use a stable base for the umbrella.
2. The product should be set up by a competent adult.
3. When opening and closing the umbrella, make sure that your hands are not caught by the folding mechanism.
4. In the event of incoming wind or thunderstorms, close the sun shade and secure it with a tie strap.
5. Never start an open fire near or under the umbrella.
6. The sun shade is not a children's toy.

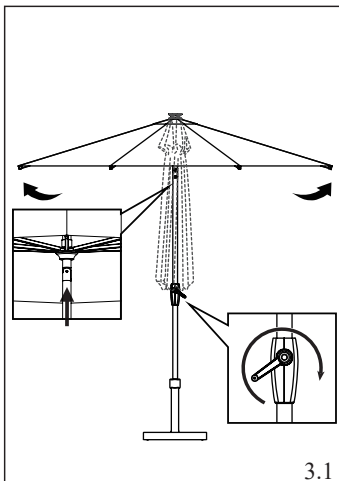
2.0 Assembly Process



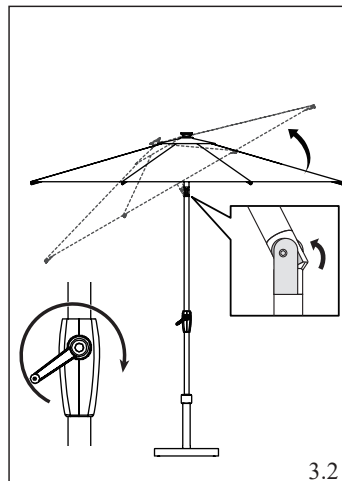
Insert the lower pole (B) into the upper umbrella (A)'s middle pole until the snap button locks into place.

Insert the assembled umbrella into secure umbrella base or table (not included).

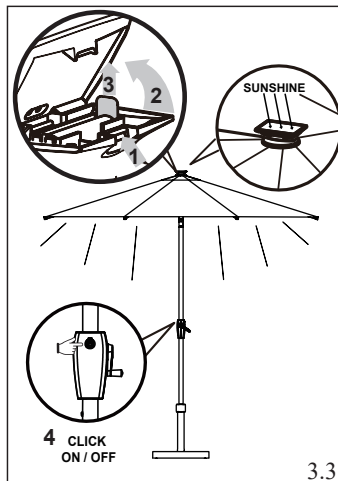
3.0 Instruction for operating the umbrella



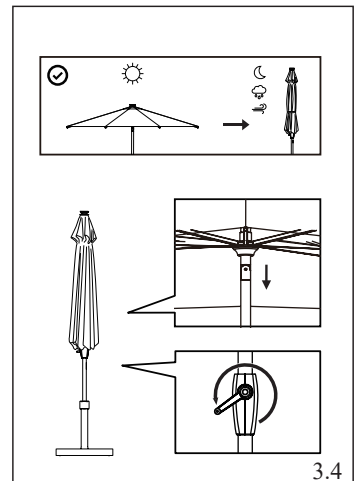
To open the umbrella turn the crank in a clockwise direction until the umbrella canopy has fully opened.



To tilt, continue to turn crank to desired position.



1. Press the button on the side of the solar panel finial.
2. Open the solar panel cover.
3. Remove the insulating plastic tab from the battery, then close it.
4. Click on the button to turn ON/OFF.



Always take umbrella down when not in use and avoid using the umbrella during high wind, snow or any other inclement weather.

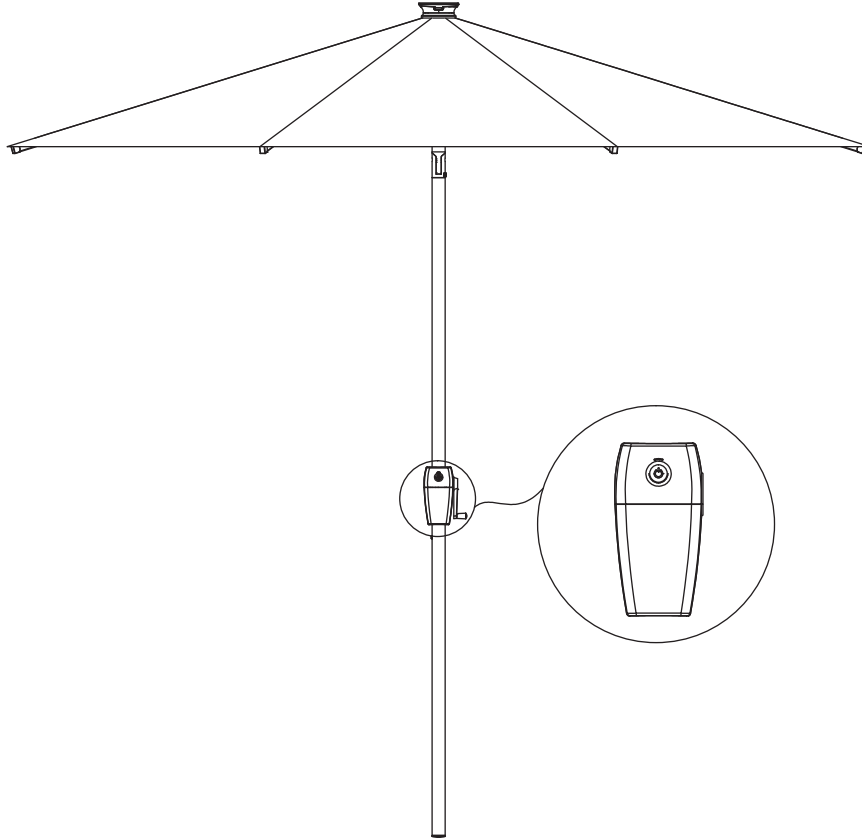
Assembly Instructions

9FT DELLA LUNA UMBRELLA

 ROOMS TO GO PATIO™
Manufactured by (TMPL) for Rooms To Go

SKU # 92833106 # 92833207 # 92833308
92833409 # 92833500

4.0 Instruction for Remote

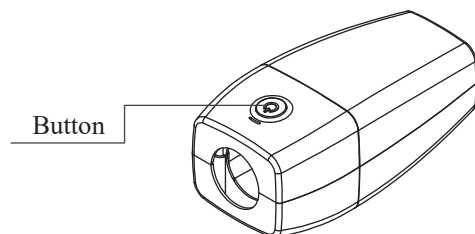


Product Overview

This product is a radio device that enables remote control by switching the product's light source on/off and adjusting its brightness via wireless signals.

1. Product Parameters

Size: 86*160*70
Frequency: 433.92MHz
Control Range: 8m
Battery: CR2032 3V
Operating Temperature: -10°C-40°C



2. Product Operation Instructions

- ① Press the button to switch the product's light on or off.
- ② Press the button continuously to adjust the product's light to three levels of brightness.
- ③ Press the button finally to turn off the product's light.

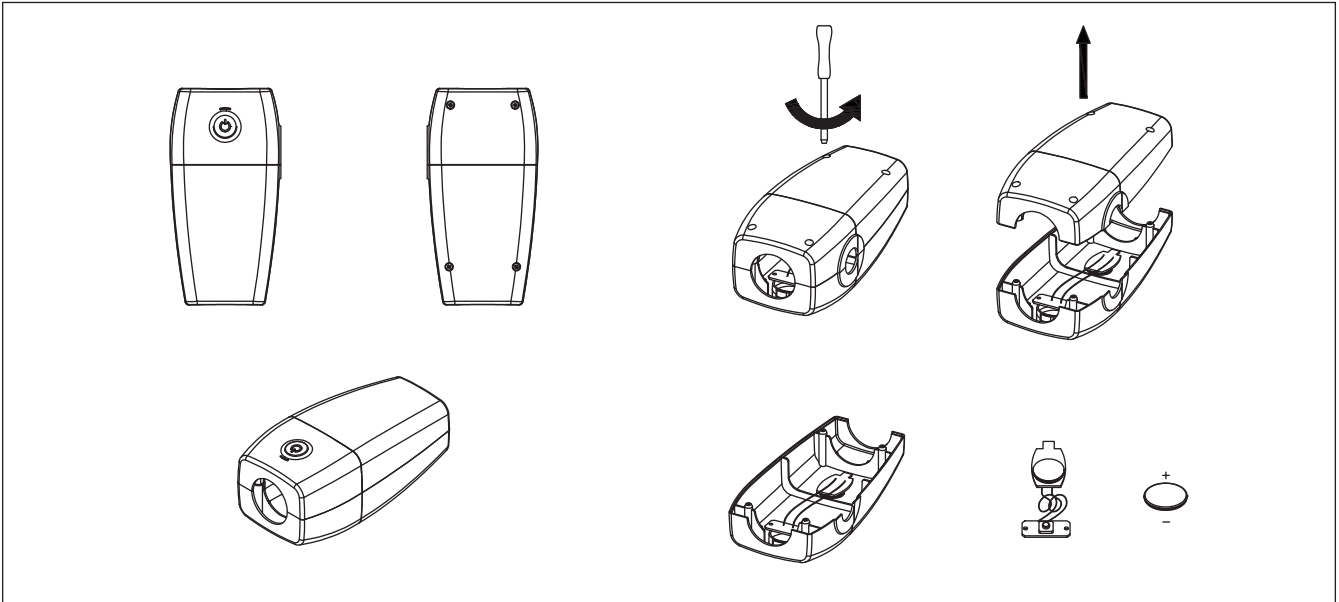
Assembly Instructions

9FT DELLA LUNA UMBRELLA

 ROOMS TO GO PATIO™
Manufactured by (TMPL) for Rooms To Go

SKU # 92833106 # 92833207 # 92833308
92833409 # 92833500

3. Instructions for Replacing the Battery



- ① Locate the locking screw part of the product.
- ② Use a Phillips screwdriver to turn the screw counterclockwise until it comes out.
- ③ Find the battery installation position inside the half-shell of the product, and remove and replace the battery.

4. Product Safety Precautions

Keep the device dry.

Do not knock, drop or shake the device; rough handling may damage the internal circuit board.

Do not swallow the battery, as there is a risk of chemical burns.

This product contains a button battery. If a button battery is swallowed, it can cause severe internal burns in as little as two hours and may even lead to death.

Keep both new and old batteries out of the reach of children. If the product box is not tightly closed, stop using this product.

Replacing with a battery of incorrect model may cause damage to the product.

Throwing the battery into fire or a high-temperature furnace, or crushing or cutting the battery by mechanical means, may cause an explosion.

Storing the battery in an extremely high-temperature environment may cause an explosion or leakage of flammable liquid (gas).

Batteries under extremely low air pressure may cause an explosion or leakage of flammable liquid (gas).

FCC Compliance Statement

This device complies with part 15 of the FCC Rules. Operation is subject to the following two conditions: (1) This device may not cause harmful interference, and (2) this device must accept any interference received, including interference that may cause undesired operation.

Assembly Instructions

9FT DELLA LUNA UMBRELLA



Manufactured by (TMPL) for Rooms To Go

SKU # 92833106 # 92833207 # 92833308
92833409 # 92833500

This equipment has been tested and found to comply with the limits for a Class B digital device, pursuant to Part 15 of the FCC Rules. These limits are designed to provide reasonable protection against harmful interference in a residential installation. This equipment generates, uses and can radiate radio frequency energy and, if not installed and used in accordance with the instructions, may cause harmful interference to radio communications. However, there is no guarantee that interference will not occur in a particular installation. If this equipment does cause harmful interference to radio or television reception, which can be determined by turning the equipment off and on, the user is encouraged to try to correct the interference by one or more of the following measures:

Reorient or relocate the receiving antenna.

Increase the separation between the equipment and receiver.

Connect the equipment into an outlet on a circuit different from that to which the receiver is connected.

Consult the dealer or an experienced radio/TV technician for help.

FCC Caution:

Any Changes or modifications not expressly approved by the party responsible for compliance could void the user's authority to operate the equipment.

FCC RF exposure statement:

The device has been evaluated to meet general RF exposure requirement. The device can be used in portable exposure condition without restriction.

Déclaration de conformité FCC

Le présent appareil est conforme à la partie 15 des règles de la FCC (Federal Communications Commission). Son fonctionnement est soumis à deux conditions suivantes : (1) l'appareil ne doit pas provoquer de perturbations nuisibles ; (2) l'appareil doit accepter toute perturbation reçue, y compris celles susceptibles de entraîner un fonctionnement non souhaité. Cet équipement a été testé et s'est avéré conforme aux limites applicables aux appareils numériques de Classe B, conformément à la partie 15 des règles de la FCC. Ces limites sont conçues pour offrir une protection raisonnable contre les perturbations nuisibles dans un environnement résidentiel. Cet équipement génère, utilise et peut émettre de l'énergie radiofréquence ; s'il n'est pas installé et utilisé conformément aux instructions, il peut causer des perturbations nuisibles aux communications radio. Toutefois, il n'existe aucune garantie qu'aucune perturbation ne se produira dans une installation particulière. Si cet équipement cause effectivement des perturbations nuisibles à la réception radio ou télévision (ce qui peut être vérifié en l'éteignant puis en le rallumant), l'utilisateur est invité à tenter de corriger la perturbation au moyen d'une ou plusieurs des mesures suivantes :

Réorienter ou déplacer l'antenne de réception ;

Augmenter la distance entre l'équipement et le récepteur ;

Brancher l'équipement sur une prise de courant appartenant à un circuit différent de celui du récepteur ;

Consulter le revendeur ou un technicien radio/télévision expérimenté pour obtenir de l'aide.

Avertissement FCC :

Toute modification ou altération non expressément approuvée par la partie responsable de la conformité peut annuler le droit de l'utilisateur à exploiter l'équipement.

Assembly Instructions

9FT DELLA LUNA UMBRELLA

 ROOMS TO GO PATIO™
Manufactured by (TMPL) for Rooms To Go

SKU # 92833106 # 92833207 # 92833308
92833409 # 92833500

Déclaration d'exposition aux radiofréquences FCC :

L'appareil a été évalué et satisfait aux exigences générales en matière d'exposition aux radiofréquences. Il peut être utilisé en mode portable sans aucune restriction.

Innovation, Science and Economic Development (ISED) Canada Compliance Statement

This device contains licence-exempt transmitter(s)/receiver(s) that comply with Innovation, Science and Economic Development Canada's licence-exempt RSS(s). Operation is subject to the following two conditions:

1. This device may not cause interference.
2. This device must accept any interference, including interference that may cause undesired operation of the device.

L'émetteur/récepteur exempt de licence contenu dans le présent appareil est conforme aux CNR d'Innovation, Sciences et Développement économique Canada applicables aux appareils radio exempts de licence. L'exploitation est autorisée aux deux conditions suivantes :

L'appareil ne doit pas produire de brouillage;

L'appareil doit accepter tout brouillage radioélectrique subi, même si le brouillage est susceptible d'en compromettre le fonctionnement.

RF Exposure Warning:

The device has been evaluated to meet general RF exposure requirement. The device can be used in portable exposure condition without restriction.

Avertissement sur l'exposition aux radiofréquences :

L'appareil a été évalué et satisfait aux exigences générales en matière d'exposition aux radiofréquences. Il peut être utilisé en mode portable sans aucune restriction quant à l'exposition.

Warning

Note: This equipment has been tested and found to comply with the limits for a Class B digital device, pursuant to part 15 of the FCC Rules. These limits are designed to provide reasonable protection against harmful interference in a residential installation. This equipment generates, uses and can radiate radio frequency energy and, if not installed and used in accordance with the instructions, may cause harmful interference to radio communications. However, there is no guarantee that interference will not occur in a particular installation. If this equipment does cause harmful interference to radio or television reception, which can be determined by turning the equipment off and on, the user is encouraged to try to correct the interference by one or more of the following measures:

- Reorient or relocate the receiving antenna.
- Increase the separation between the equipment and receiver.
- Connect the equipment into an outlet on a circuit different from that to which the receiver is connected.
- Consult the dealer or an experienced radio/TV technician for help.

Assembly Instructions

9FT DELLA LUNA UMBRELLA

 ROOMS TO GO PATIO™

Manufactured by (TMPL) for Rooms To Go

SKU # 92833106 # 92833207 # 92833308
92833409 # 92833500

Statement of the coin cell battery in the remote control:

1. Remove and immediately recycle or dispose of used batteries according to local regulations and keep away from children. Do NOT dispose of batteries in household trash or incinerate.
2. Even used batteries may cause severe injury or death.
3. Call a local poison control center for treatment information.
4. The compatible battery type: CR2016
5. The nominal battery voltage: 3V
6. Non-rechargeable batteries are not to be recharged.
7. Do not force discharge, recharge, disassemble, heat above 60°C or incinerate. Doing so may result in injury due to venting, leakage or explosion resulting in chemical burns.
8. Ensure the batteries are installed correctly according to polarity (+ and -).
9. Do not mix old and new batteries, different brands or types of batteries, such as alkaline, carbon-zinc, or rechargeable batteries.
10. Remove and immediately recycle or dispose of batteries from equipment not used for an extended period of time according to local regulations.
11. Always completely secure the battery compartment. If the battery compartment does not close securely, stop using the product, remove the batteries, and keep them away from children.

WARNING

- **INGESTION HAZARD:** This product contains a button cell or coin battery.
- **DEATH** or serious injury can occur if ingested.
- A swallowed button cell or coin battery can cause **Internal Chemical Burns** in as little as **2 hours**.
- **KEEP** new and used batteries **OUT OF REACH** of **CHILDREN**
- **Seek immediate medical attention** if a battery is suspected to be swallowed or inserted inside any part of the body.



Statement of the lithium ion battery in the hub light:

CAUTION: Risk of Fire and Burns. Do Not Open, Crush, Heat Above 60°C or incinerate. Follow Manufacturer's Instructions.

Danger

1. Do not assemble the umbrella on sandy, muddy or loose soil.
2. Keep children and pets away while setting up the umbrella.
3. Children must be supervised around the umbrella.
4. This umbrella is for outdoor use only.
5. Do not light any fires under or near the umbrella!
6. This product has been tested for domestic use.
7. This umbrella is primarily intended to be used as a sunshade and not as wind protection.

Assembly Instructions

9FT DELLA LUNA UMBRELLA



Manufactured by (TMPL) for Rooms To Go

SKU # 92833106 # 92833207 # 92833308
92833409 # 92833500

Troubleshooting

- 1.If the light is off, it is recommended to check the power supply to see if the charge is sufficient and the remote control buttons are used within a distance of no more than 16 feet.
- 2.If the umbrella cannot be fully opened or closed, it is recommended to carefully observe and remove any foreign objects stuck in the ribs or joints.
- 3.If the canopy is tilted or skewed, it is recommended to check and ensure that the base is placed on level and solid ground and has been filled with water/sand as required.