

# MuralArt Custom Wall Decor

**IMPORTANT**- READ THE INSTRUCTIONS BEFORE ASSEMBLY

Please note the following resources to help you enjoy your new wall decor:

Help Line:

**800-398-6440**

Call for assistance with any questions you may have with the assembly of your MuralArt product.

Help Contact by email:

**help@phoenixfulfillmentgroup.com**

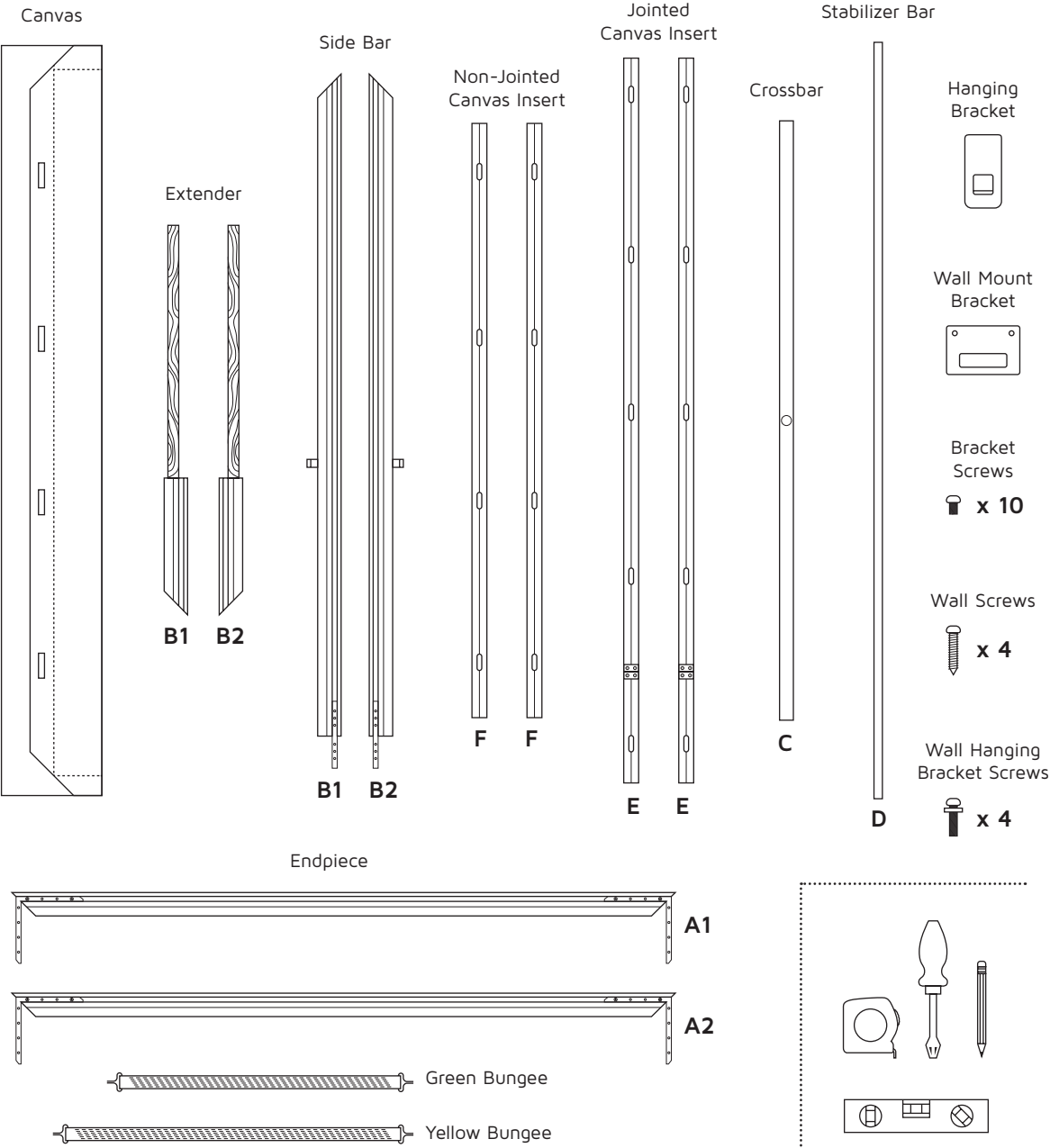
To view a video showing the assembly process go to:

**www.phoenixfulfillmentgroup.com**

and click on the "MuralArt Assembly Video" link

Enjoy your beautiful custom art decor by MuralArt!

# Frame Assembly Components

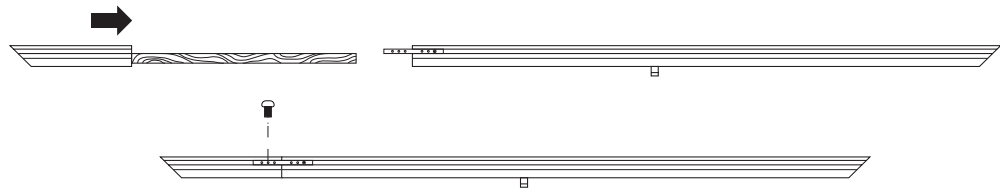


# SECTION ONE

## Frame Assembly

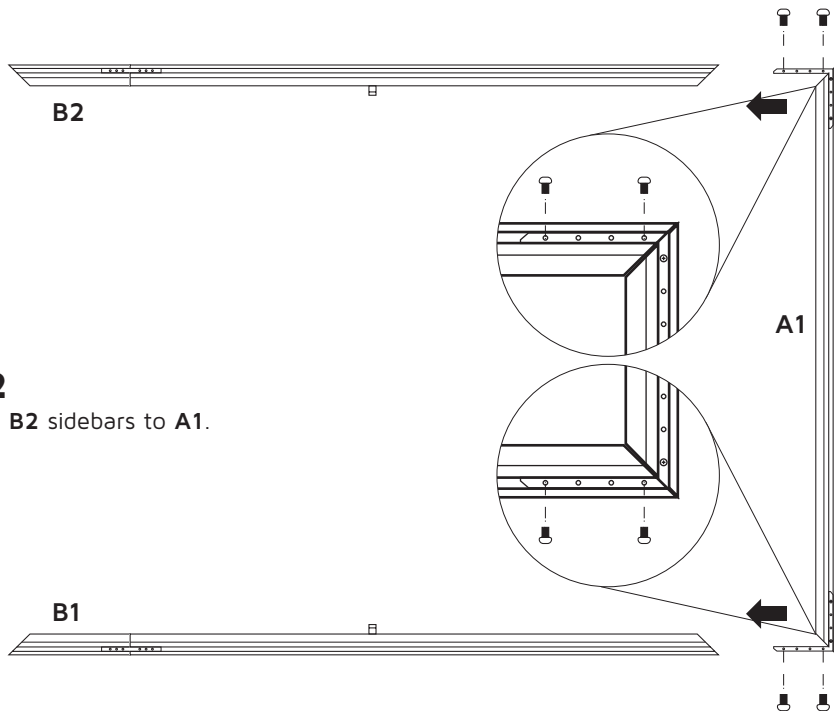
### STEP 1.1

Connect side bar **B1** with extender **B1**.  
Connect side bar **B2** with extender **B2**.



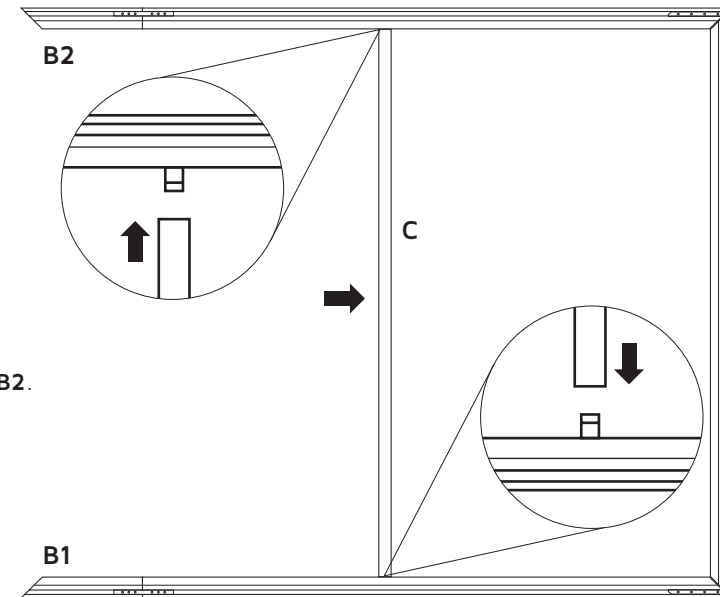
### STEP 1.2

Attach **B1** and **B2** sidebars to **A1**.



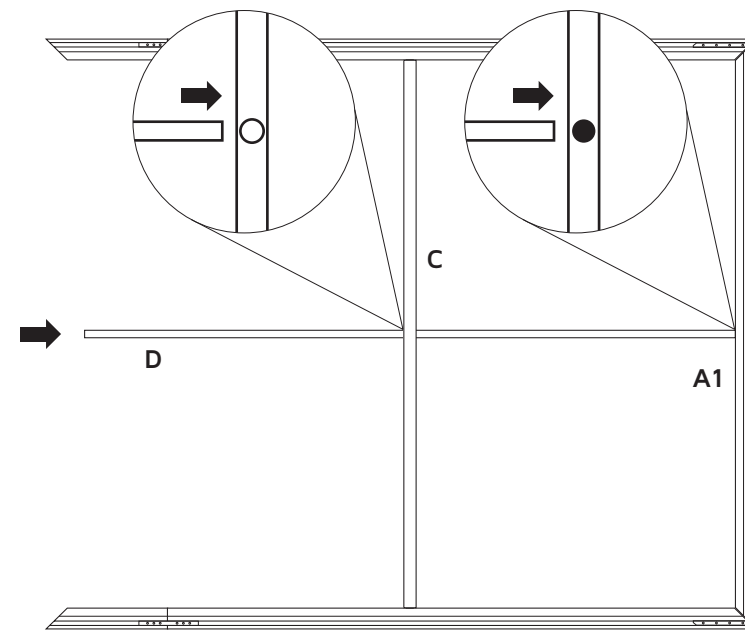
### STEP 1.3

Connect middle crossbar **C** to **B1** and **B2**.



### STEP 1.4

Insert stabilizer bar **D** through crossbar **C** and connect to **A1**.

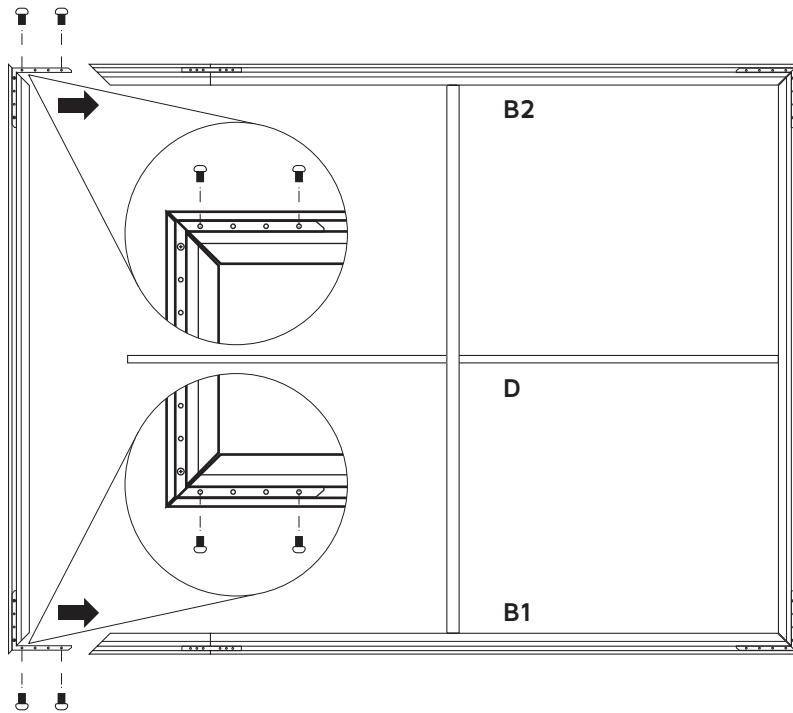


## SECTION TWO

### Install Wall Hanging Brackets

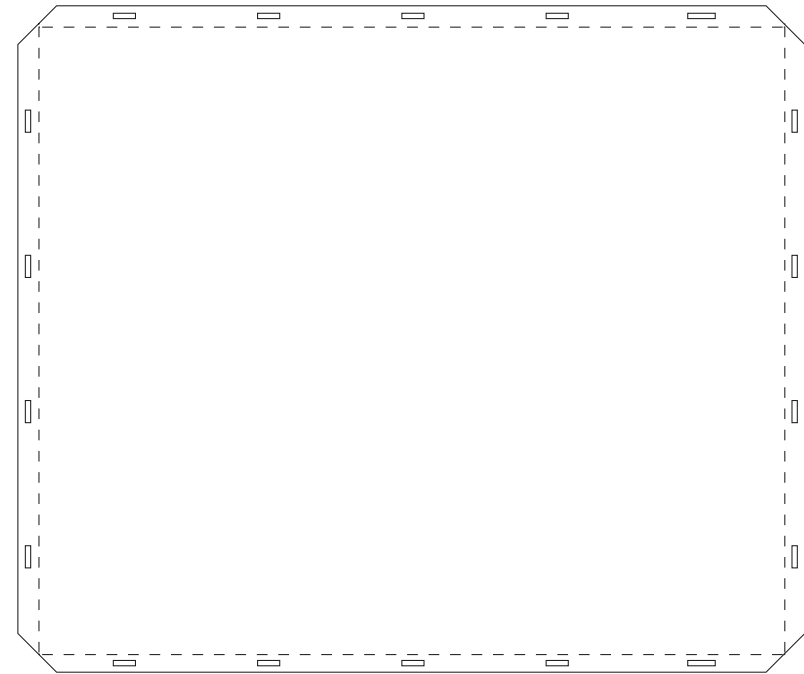
#### STEP 1.5

Connect **A2** to **B1**, **B2** and **D**. Insert screws as shown for each side.



#### STEP 2.1

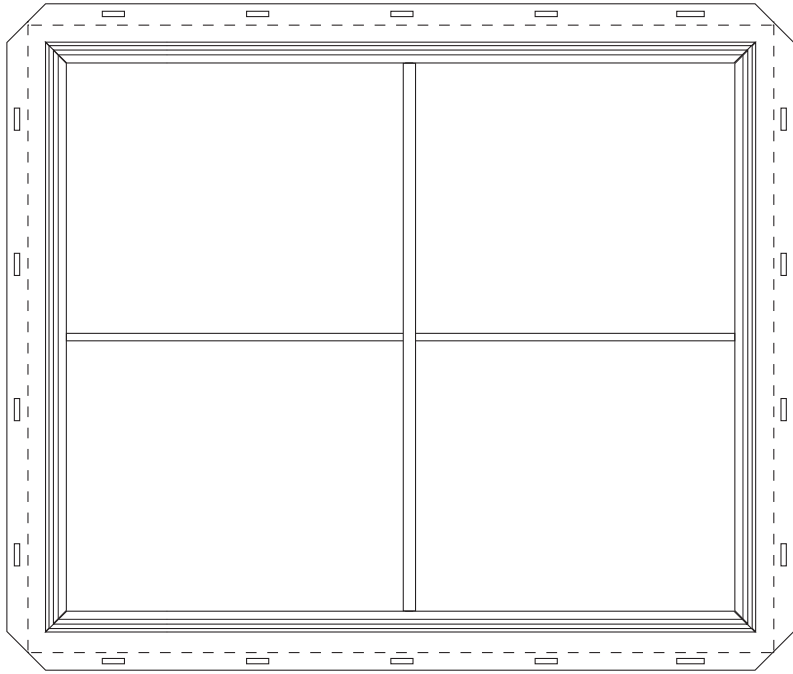
Lay canvas on clean floor with artwork facing down. Take note of where the top side of the canvas image is.



**NOTE:** If your art is an abstract image and rectangular it may be hung either as a horizontal or vertical art work. You will find there are holes in the molding to receive the hanging hardware on both the longer and shorter sides of the rectangle so you may customize how you prefer to install your MuralArt.

## STEP 2.2

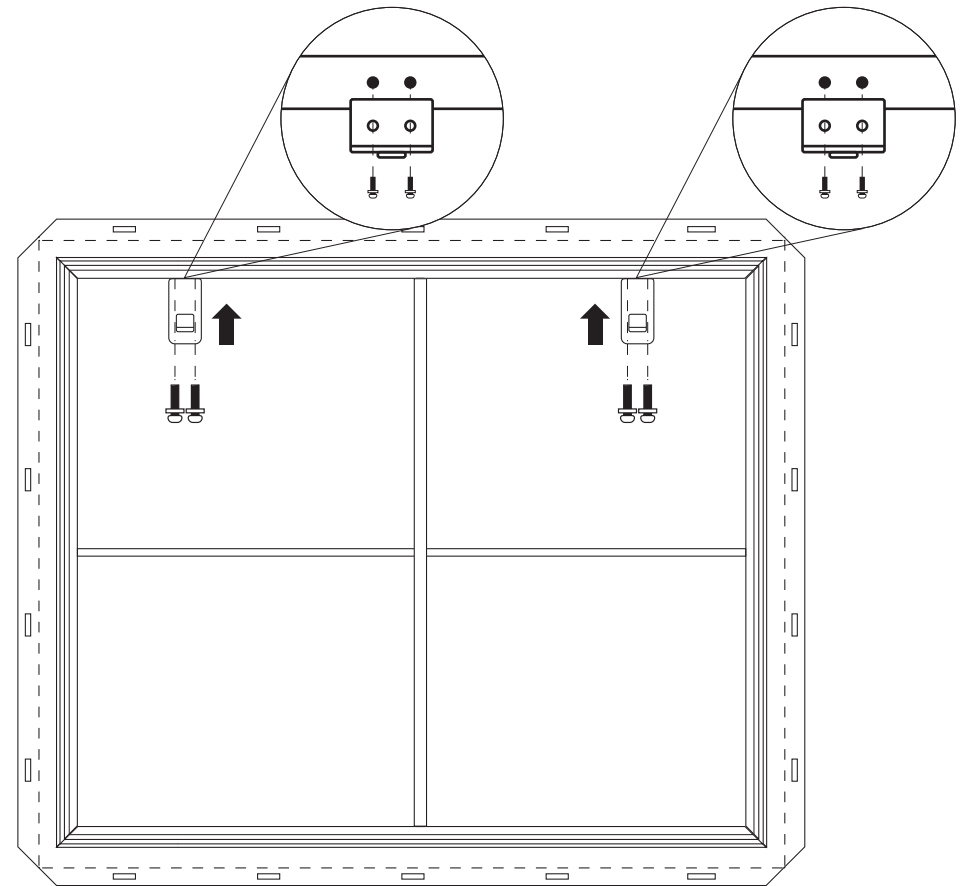
Place the frame on top of the canvas with the corner brackets facing down to prepare to install the wall hanging brackets.



**STOP FURTHER ASSEMBLY OF CANVAS TO FRAME. ATTACH WALL HANGING BRACKETS TO FRAME AND SET UP WALL ASSEMBLY.**

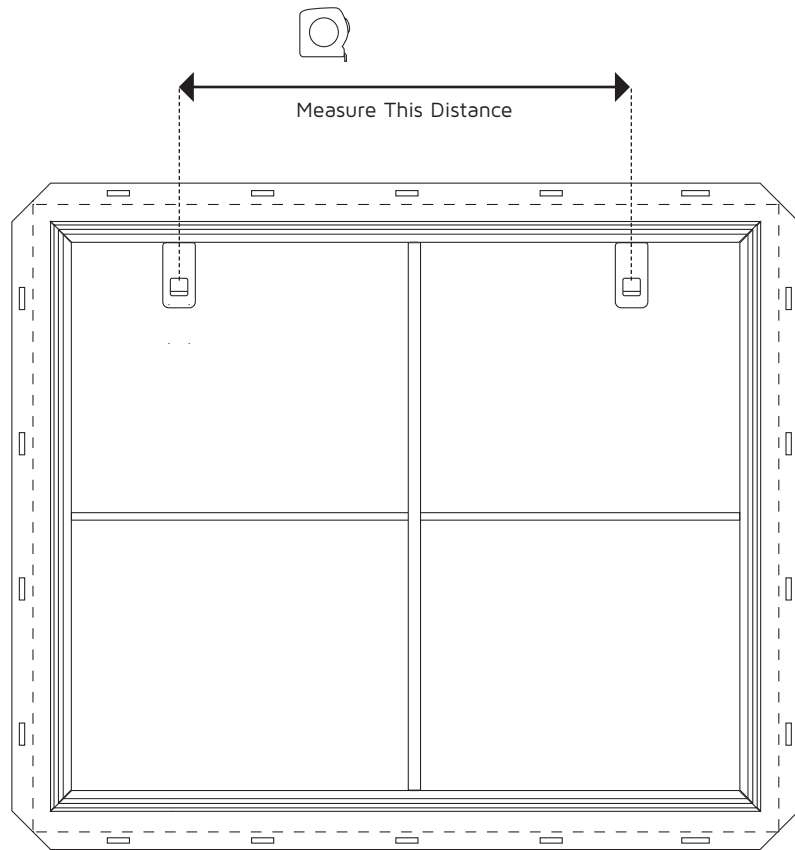
## STEP 2.3

Install wall hanging brackets along the sidebar or side extender that relates to the top side of the image by inserting 2 screws on each side into the corresponding holes.



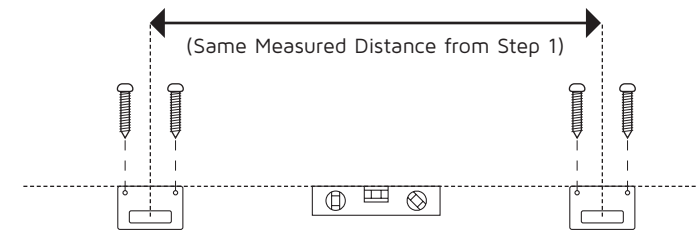
## STEP 2.4

Use a tape measure to find the distance between the hanging wall brackets on the frame.



## STEP 2.5

Use the measured distance between the hanging brackets to install wall mount brackets to your wall. Use a level to ensure wall mount brackets are installed evenly. For proper support, use drywall screws to attach wall mounts to the wall.



### TIP:

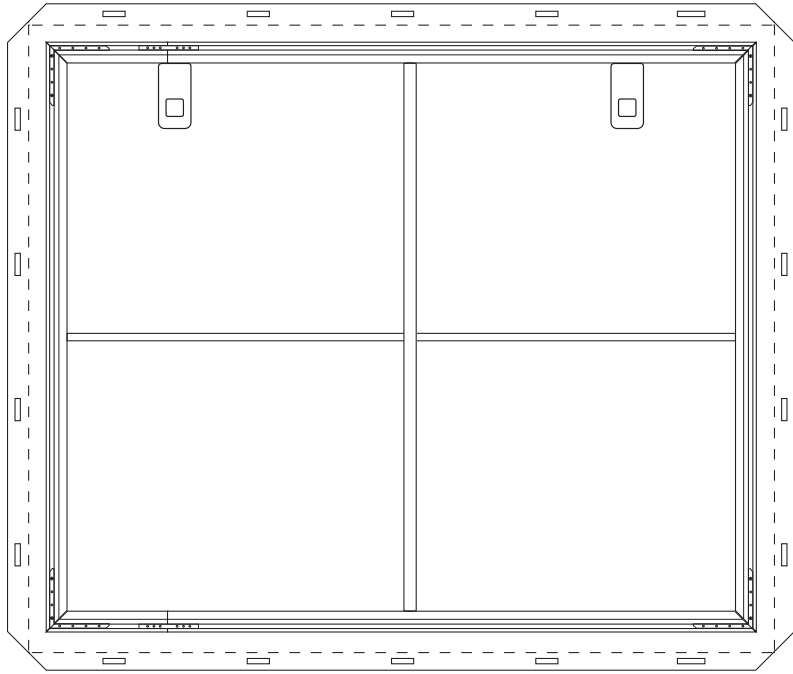
Hold the frame against the wall without the canvas to facilitate the alignment process for the wall hanging mounts.

# SECTION THREE

## Prep The Canvas

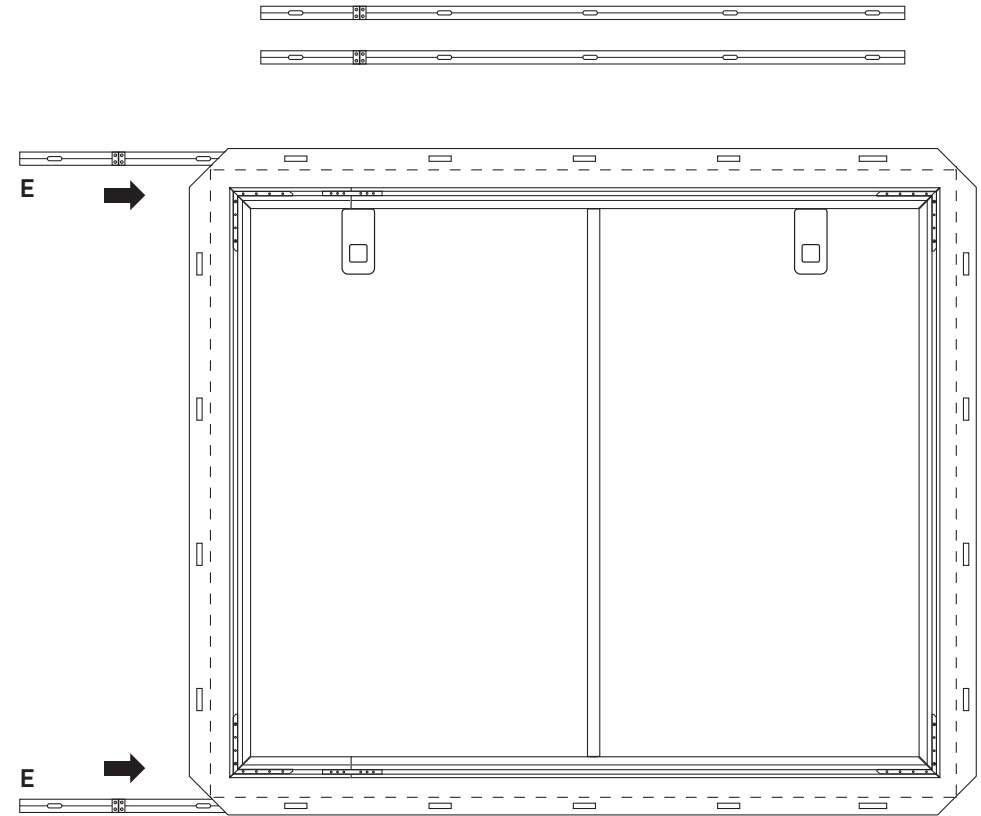
### STEP 3.1

Turn the frame over so that the corner brackets are facing up. Be sure to keep the side with the attached wall hanging brackets at the top of the canvas. Center the frame to the canvas.



### STEP 3.2

Place jointed canvas insert E into the long side sleeve. Match the hole slits in the canvas to the holes on insert E.

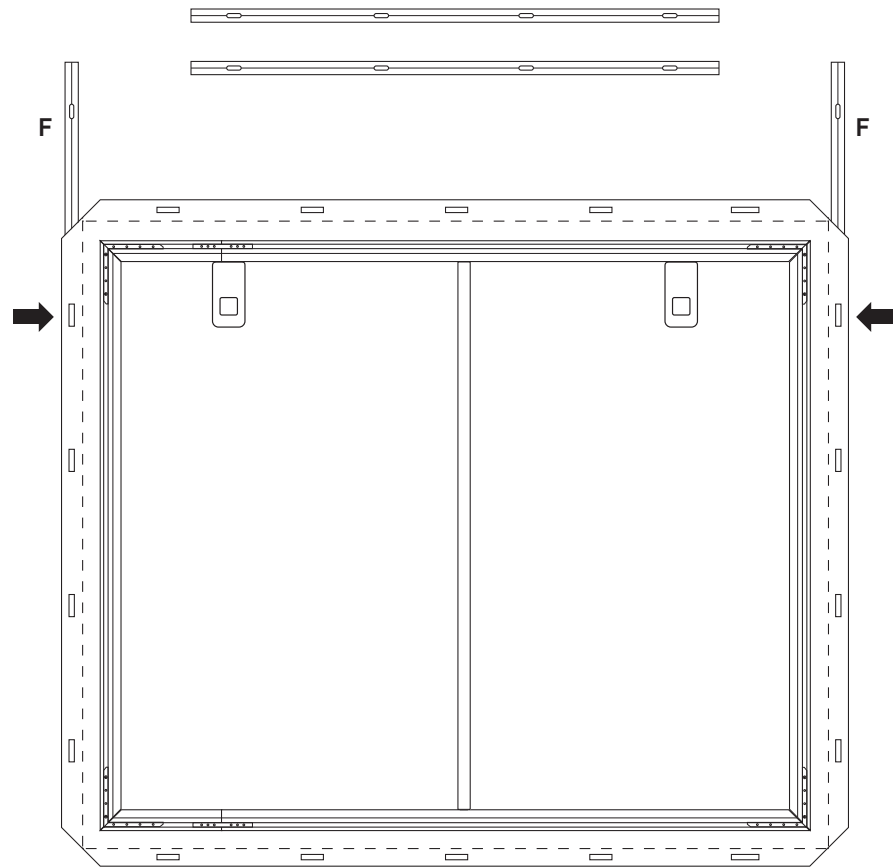


## SECTION FOUR

Stretching Canvas / Folding Corners

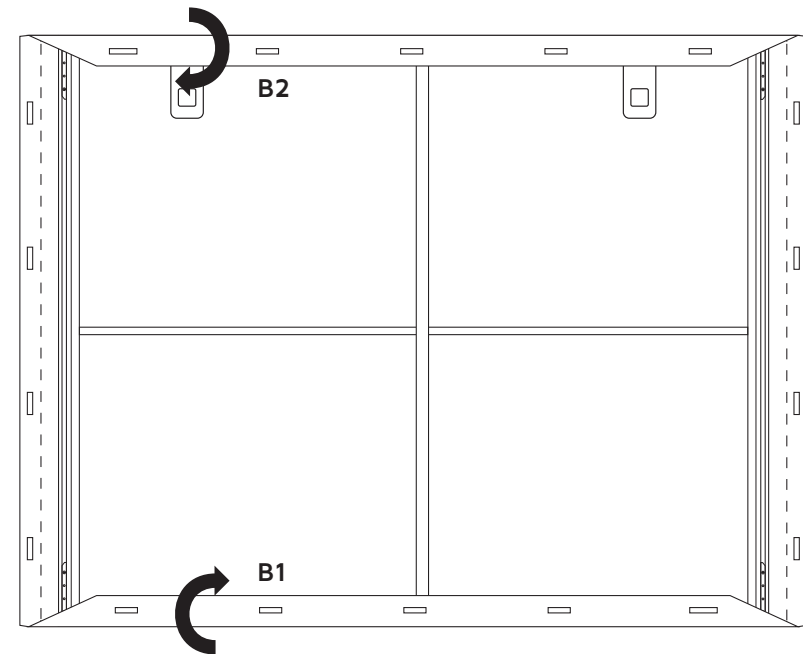
### STEP 3.3

Non-jointed canvas insert **F** has been inserted into the short side sleeve by the factory. Check for alignment of hole slits between the canvas and insert **F**.



### STEP 4.1

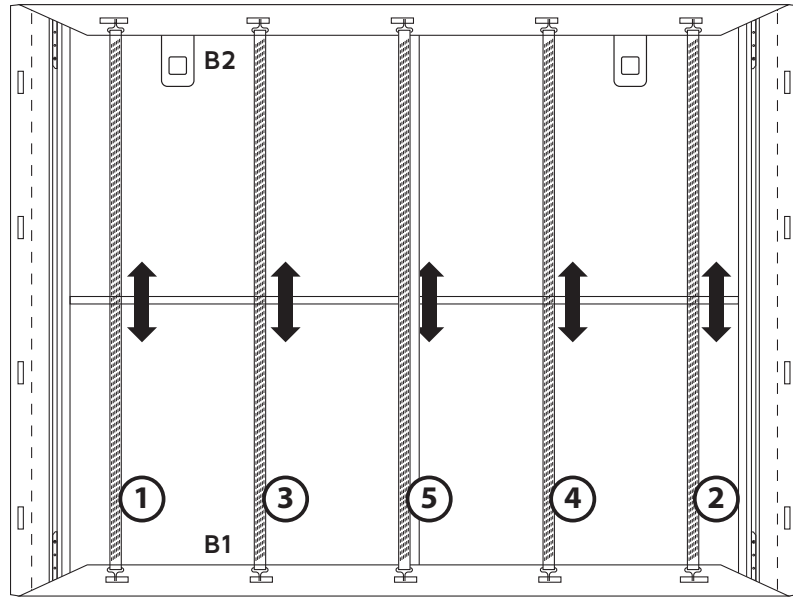
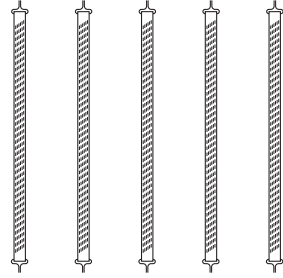
Fold canvas flaps along on both **B1** and **B2** sides of the frame.





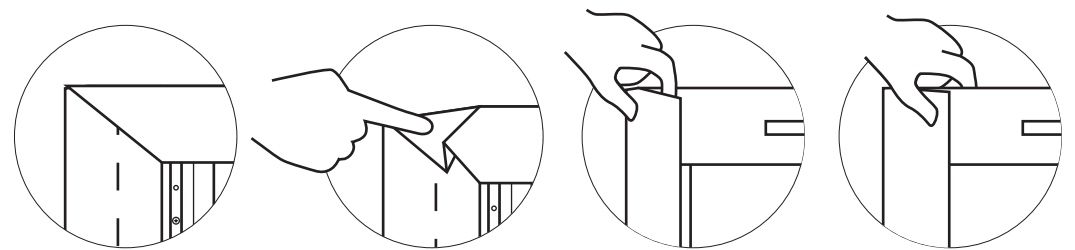
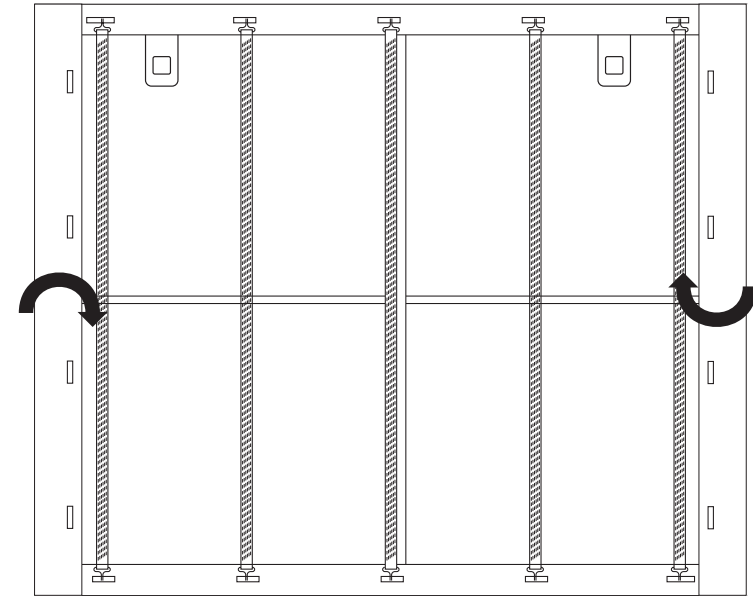
### STEP 4.2

Stretch green bungee cords from the canvas slits of **B1** side to the canvas slits of the **B2** side. Begin with the outsides first and move towards the center as shown in the image.



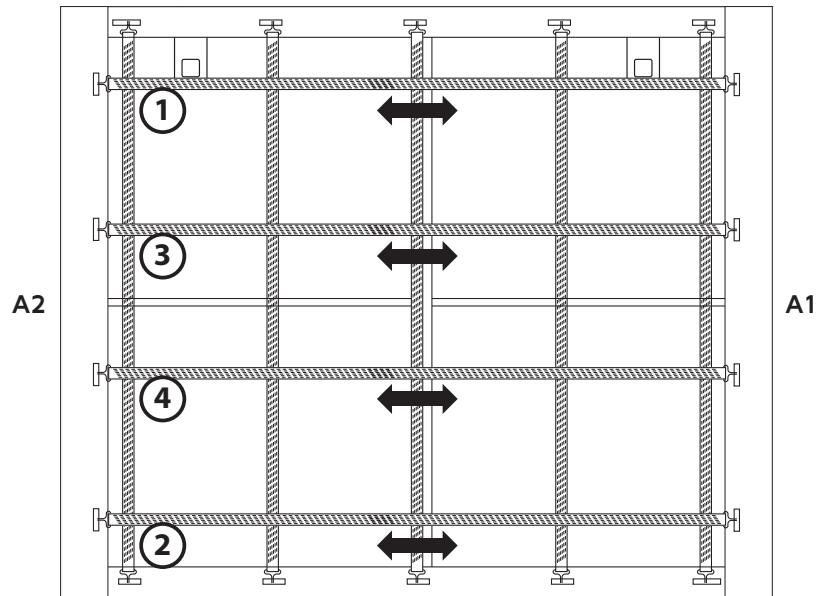
### STEP 4.3

Fold the corners of the canvas as shown below. Repeat for all 4 corners.



### STEP 4.4

Stretch yellow bungee cords from the canvas slits of **A1** side to the canvas slits of the **A2** side. Begin with the outsides first and move towards the center as shown in the image.



### STEP 4.5

Align the hanging brackets on the back of the frame to the wall mount brackets on the wall. Slide the tab of the hanging brackets into the slots of the wall mount brackets. Enjoy your new art!



